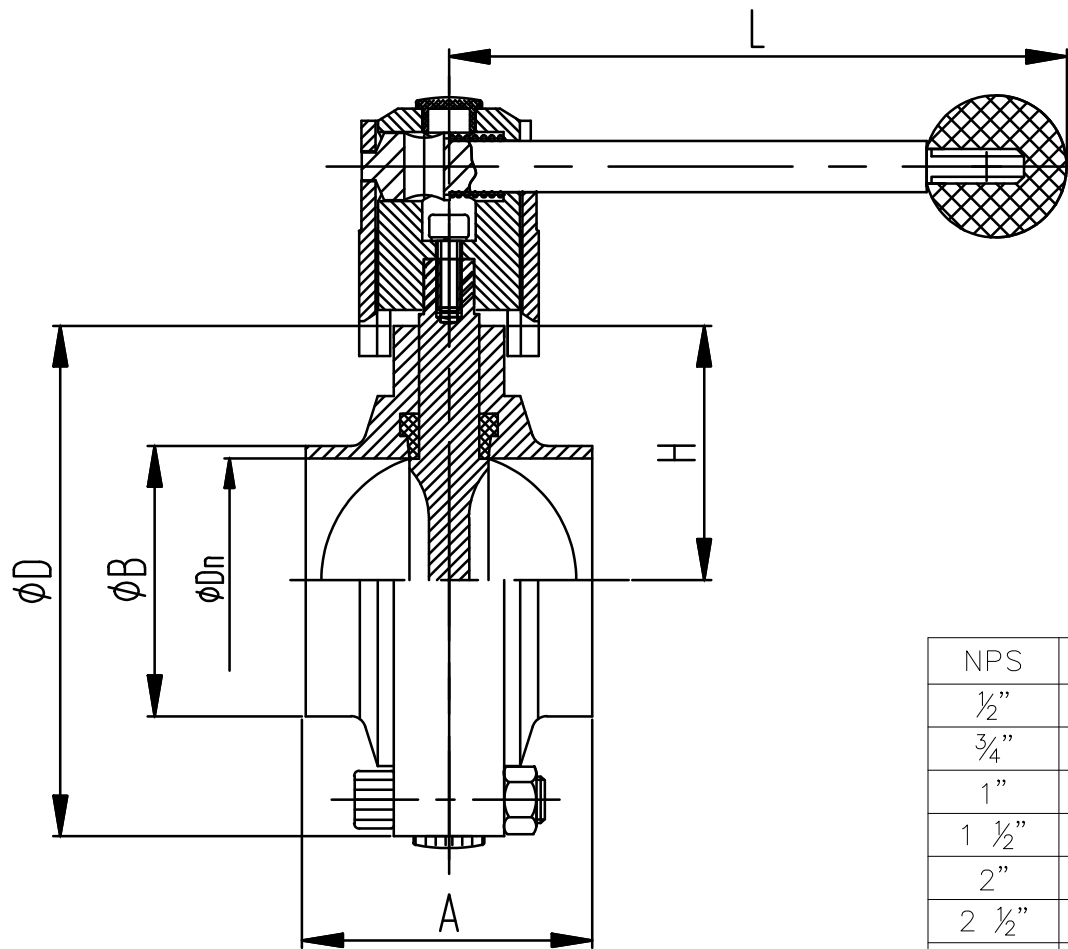


D61X-10P/RL-00



Nominal pressure			PN10				
Test pressure	Shell test	1.5	MPa	test medium	water	Test temperature	normal temperature
	seal test	1.0			air		
	Gas seal test	0.6					
Applicable medium			water,oil,gas				
Applicable temperature			20~200°F				

NPS	D	B	A	H	Dn	L
1/2"	3.07	0.5	1.97	1.54	0.37	5.51
3/4"	3.07	0.75	1.97	1.54	0.62	5.51
1"	3.07	1	1.97	1.54	0.87	5.51
1 1/2"	3.39	1.5	1.97	1.69	1.37	5.51
2"	4.02	2	2.05	2.01	1.87	5.91
2 1/2"	4.53	2.5	2.20	2.26	2.37	6.23
3"	5.04	3	2.20	2.52	2.87	6.23
4"	6.06	4	2.52	3.03	3.83	7.09

				ANIX[®]	ANIX VALVE	
					Butt welded Butterfly valve	
MARK	BEFORE MODIFIED	AFTER MODIFIED	DATE			
DRA.		APP.		SCALE		
CHK.		DATE				
				D61X-10P/RL-00		